

Dual-channel On-line Conductivity/Concentration Analyzer MARK-1102

MARK-1102 is a dual-channel analyzer for continuous measurements of conductivity (absolute and reduced to 25°C), temperature and concentration of aqueous solutions (H₂SO₄, HCl, HNO₃, NaCl, NaOH).

Features

- Calibrated to National standard with a certificate of calibration
- Two channels for independent measurements in two points
- Contactless inductive sensor resistible in aggressive mediums
- Selectable coefficient of temperature compensation
- Programmable ranges of measurements for each channel
- Programmable setpoints for each channel
- Two isolated current outputs 0-5/4-20/0-20mA
- RS-485 port
- Probe cable length up to 100 m
- Backlit graphic LCD with adjustment of illumination. Easy input of all parameters by keypad
- User selectable security code to protect settings and configuration
- Resistance to industrial interferences
- Alarm relay
- Various types of installation (dip, flow, in-line)



1102

Order scheme

Dual-channel On-line Conductivity/Concentration Analyzer

	MARK-1102-								
Probe unit:	for one channel -----	0							
	for two channels-----	1							
Probe-to-analyzer cable (up to 100m*):	total length for first channel, m -----								
	total length for second channel, m -----								
Type of installation kit:	no -----							0	
	dip type -----							1	
	in-line type -----							2	
	flow-through type -----							3	
Mounting:	wall (IP65) -----								0
	panel (IP30) -----								1
Power supply:	220 V -----								0
	36 V -----								1

* Default length is 5m. For the 100m length please use symbols "00".

Specification

	Measuring range	Resolution	Accuracy
Conductivity, mS/cm	0 ... 1000	0,1	$\pm(1 + 4\% \text{ of value})$
Concentration, %			
NaCl, HNO ₃ , H ₂ SO ₄	0 ... 15	0,01	$\pm(0,03 + 4\% \text{ of value})$
NaOH, HCl	0 ... 10		

Temperature compensation range**:

for measuring the conductivity	0-70°C		
for measuring the concentration of HNO ₃ , HCl	0-50°C	0,1	$\pm 0,5$
for measuring the concentration of NaCl	0-60°C		
for measuring the concentration of NaOH, H ₂ SO ₄	0-70°C		

Ambient pressure:up to 8 bar

Dimensions of analyzer only:

wall mounting.....266*170*95 mm
 panel mounting.....252*146*100 mm

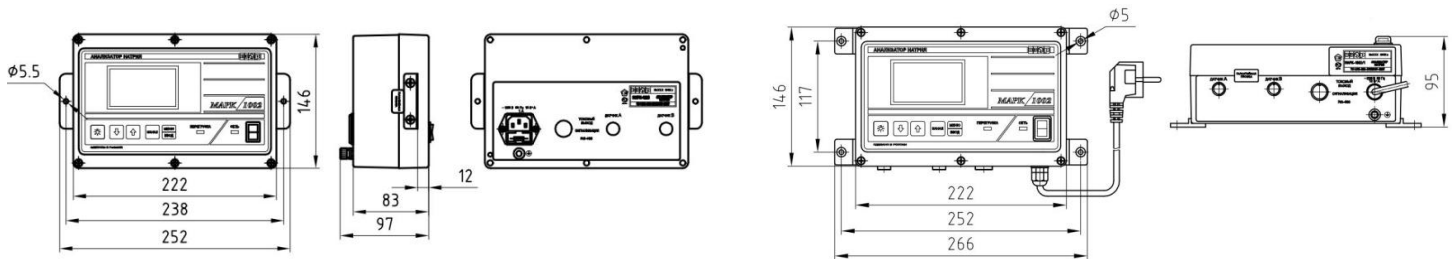
Weight of instrument only2,6 kg

Power supply220 V or 36 V, 50Hz/ 10 VA

**automatic temperature compensation range

- ☆ Traceable to National standard
- ☆ Included into Russian Federation State Register of approved measuring instruments
- ☆ Has the License of Russian Federation Federal Inspectorate of ecologic, technical and nuclear for use in power plants applications
- ☆ Certificated to electromagnetic compatibility
- ☆ Warranty 12 months

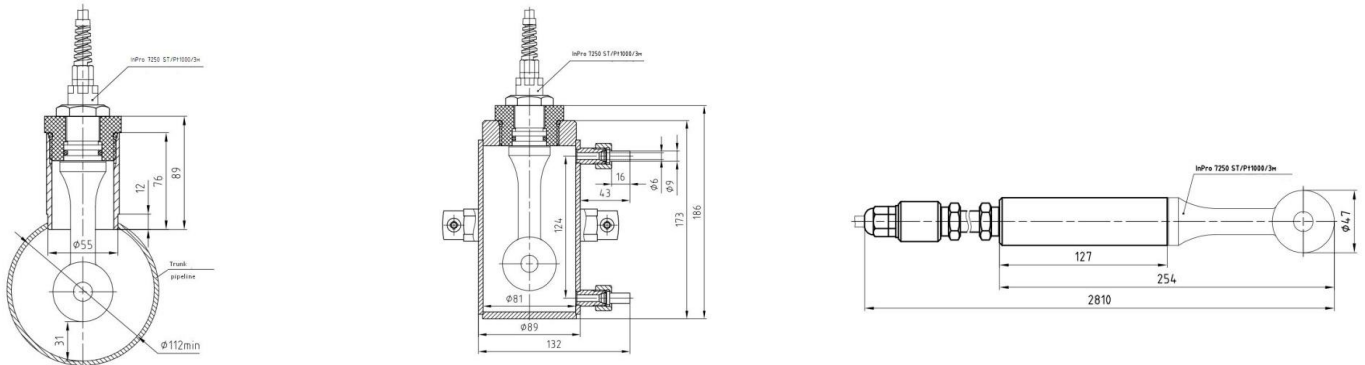
Dimensions of the block, mm:



Panel mounting

Wall mounting

Schemes of mounting:



In-line type

Flow-through with chamber

Dip type

Specification subjects to change without notice.

August 2012