

Dual-channel On-line Dissolved Oxygen Analyzer MARK-409

MARK-409 is a dual-channel analyzer for continuous measurements of low-level (ppb) dissolved oxygen concentration and temperature for water and aqueous solutions.

Features

- Two channels for independent measurements in two points
- Suitable for deairedated water measurements
- Automatic barometric pressure compensation
- Automatic temperature compensation
- Automatic one-point calibration in air
- Programmable ranges of measurements for each channel
- Programmable setpoints for each channel
- Two isolated current outputs 0-5/4-20/0-20mA
- RS-485 port
- Long-lived flow-dip sensors
- Probe cable length up to 100 m
- Backlit graphic LCD with adjustment of illumination.
Easy input of all parameters by keypad
- User selectable security code to protect settings and configuration
- Resistance to industrial interferences
- Alarm relay



What's included: a DO probe, electrolyte, a hydraulic devise, electrolyte, consumables kit, operation manual

Order scheme

Dual-channel On-line Dissolved Oxygen Analyzer		MARK-409-							
DO probe:	for one channel -----	0							
	for two channels -----	1							
Hydraulic devise type:	hydraulic panel -----	0							
	flow stabilization module-----	1							
Probe-to-analyzer cable (up to 100m*):	total length for first channel, m -----								
	total length for second channel, m-----								
Mounting:	wall (IP65) -----								0
	panel (IP30) -----								1
Power supply:	220 V -----								0
	36 V -----								1

* Default length is 5m. For the 100m length please use symbols "00".

Specification

	Measuring range	Resolution	Accuracy
DO concentration, ppm	0,000 ... 20	0,0001	$\pm(0,0027 + 3,5\% \text{ of value})$
Temperature, °C	0 ... 70**	0,1	$\pm 0,3$

Ambient parameters: pressureup to 1 bar
 salinityup to 40 g/L
 pH.....4-12

Dimensions of analyzer only:

wall mounting.....266*170*95 mm
 panel mounting.....252*146*100 mm

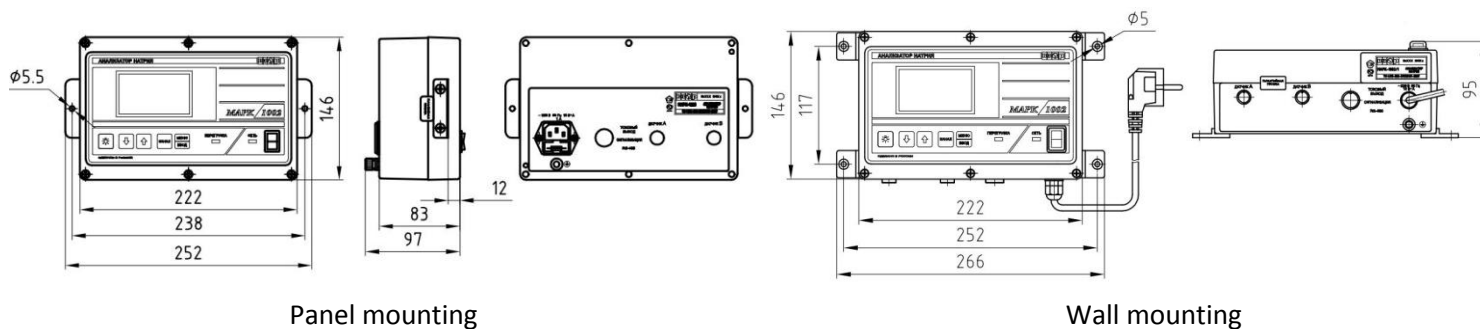
Weight of instrument only2,6 kg

Power supply220 V or 36V, 50Hz/ 10 VA

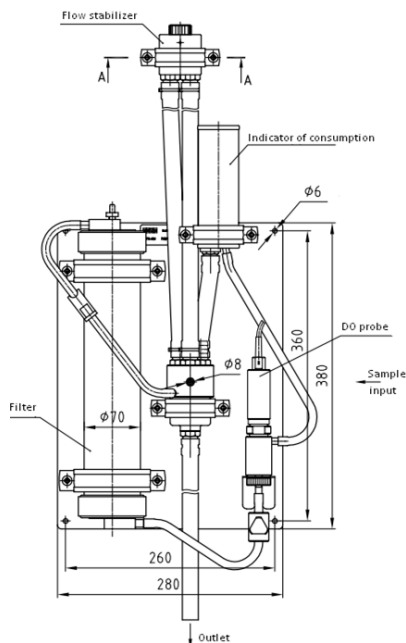
**automatic temperature compensation range

- ☆ *Included into Russian Federation State Register of approved measuring instruments*
- ☆ *Has the License of Russian Federation Federal Inspectorate of ecologic, technical and nuclear for use in power plants applications*
- ☆ *Certificated to electromagnetic compatibility*
- ☆ *Warranty 12 months*

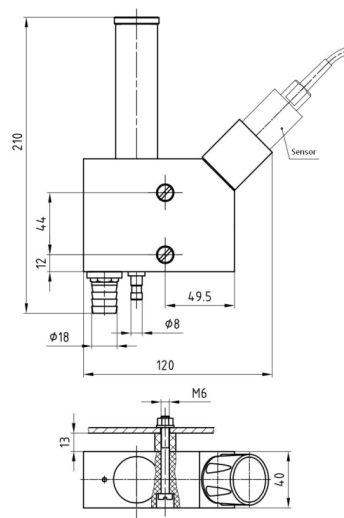
Dimensions of the block, mm:



Dimensions of the hydraulic panel, mm:



Dimensions of the flow stabilization module, mm:



Specification subjects to change without notice.

August 2012