

Dual-channel On-line Conductivity Analyzer MARK-602

MARK-602 is a dual-channel analyzer for continuous measurements of conductivity (absolute and reduced to 25°C), salinity and temperature for water and aqueous solutions, including deionized and ultrapure water applications.

Features

- Calibrated to National standard with a certificate of calibration
- Two channels for independent measurements in two points
- Suitable for ultrapure water measurements
- Dual automatic temperature compensation for pure water, selectable linear coefficient of compensation
- Interchangeable sensors for measurements in different ranges
- Stainless steel flow-through probe requires no calibration
- Programmable ranges of measurements for each channel
- Programmable setpoints for each channel
- Two isolated current outputs 0-5/4-20/0-20mA
- RS-485 port
- Easy cleaning flow type sensors
- Probe cable length up to 100 m
- Backlit graphic LCD with adjustment of illumination. Easy input of all parameters by keypad
- User selectable security code to protect settings and configuration
- Resistance to industrial interferences
- Alarm relay



Order scheme

Dual-channel On-line Conductivity Analyzer

	MARK-602-									
Conductivity cell:	one CS-025C (0,000...2000 $\mu\text{S}/\text{sm}$, $k=0,25\text{cm}^{-1}$) -----	0								
	one CS-2C (0,000 ... 20,00 mS/sm , $k=2\text{cm}^{-1}$) -----	1								
	one CS-025C and one CS-2C -----	2								
	two CS-025C -----	3								
	two CS-2C -----	4								
Hydraulic panel:	no -----	0								
	for one channel -----	1								
	for two channels -----	2								
Probe-to-analyzer cable (up to 100m*):	total length for first channel, m -----									
	total length for second channel, m -----									
Mounting:	wall (IP65) -----									0
	panel (IP30) -----									1
Power supply:	220 V -----									0
	36 V -----									1

* Default length is 5m. For the 100m length please use symbols "00".

Specification

	Measuring range	Cell constant	Resolution	Accuracy
Conductivity, $\mu\text{S/cm}$	0,000 ... 2 000	$0,25 \text{ cm}^{-1}$	0,0001	$\pm(0,004 + 2\% \text{ of value})$
	0,000 ... 20 000	2 cm^{-1}		$\pm(0,03 + 2\% \text{ of value})$
Salinity, mg/L	0 ... 1 000		0,0001	$\pm(0,003 + 2,5\% \text{ of value})$
	0 ... 10 000			$\pm(0,03 + 2,5\% \text{ of value})$
Temperature, $^{\circ}\text{C}$	5 ... 50**		0,1	$\pm 0,3$

Ambient pressure:up to 1 bar

Dimensions of analyzer only:

wall mounting.....266*170*95 mm

panel mounting.....252*146*100 mm

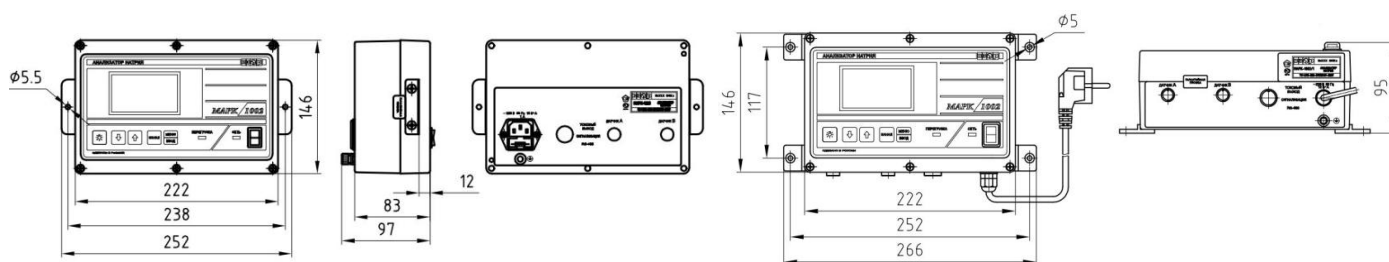
Weight of instrument only2,6 kg

Power supply220 V or 36V, 50Hz/ 10 VA

**automatic temperature compensation range

- ☆ Traceable to National standard
- ☆ Included into State Register of approved measuring instruments of Russian Federation
- ☆ Has the License of Federal Inspectorate of ecologic, technical and nuclear of Russian Federation for use in power plants applications
- ☆ Certificated to electromagnetic compatibility
- ☆ Warranty 12 months

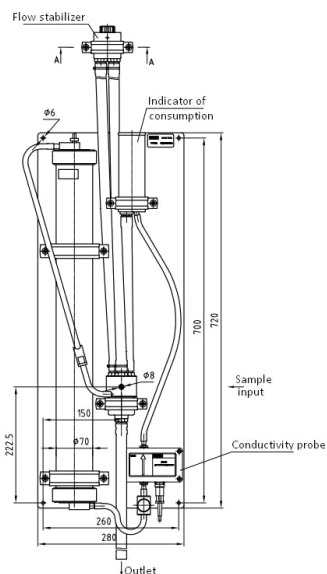
Dimensions of the block, mm:



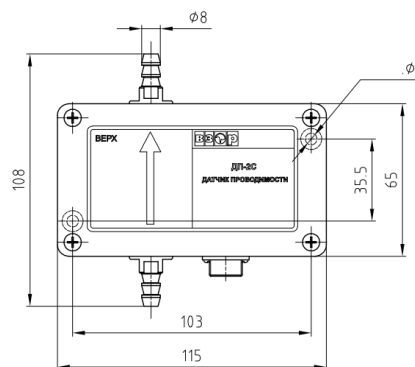
Panel mounting

Wall mounting

Dimensions of the hydraulic panel, mm:



Dimensions of the conductivity probe, mm:



Specification subjects to change without notice.

August 2012